




**NIAYESH  
EMPIRE**


# MARKETING PROPOSAL

*Presented By*

**S. NIAYESHFAR**

 +34- 634191786

 [info@niayeshempire.com](mailto:info@niayeshempire.com)

 Benalmadena Costa, Calle/ Ficus  
13, Bloque 189B, Malage, Spain

APR 16/2024

NIAYESH  
EMPIRE



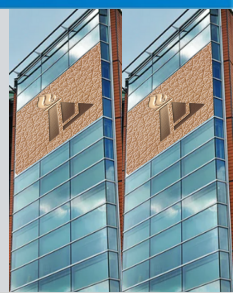
XCMG FOR YOUR SUCCESS

# XDR100

## XDR100 DOUBLE AXLE RIGID DUMP TRUCK



- Payload (kg): 91000
- Rated Power (kW/rpm): 783/2100
- Max Gradeability (%): 30 y (%): 30





NIAYESH  
EMPIRE



## HIGH PRODUCTIVITY

### ● High Performance Engine

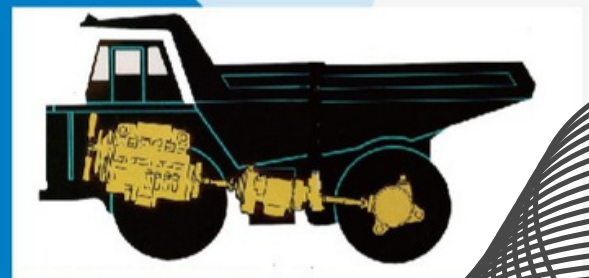
□ CUMMINS TIRE2



The original imported CUMMINS TIRE2 electronically controlled diesel engine. Single-stage turbocharging has good fuel economy and abundant power. Engine monitoring system can monitor the working condition of each cylinder in real time, prolong the service life of the engine and reduce the use cost. Advanced full-electronic control system adopts dual-electronic control module to ensure the best performance of the engine at different altitudes and loads.

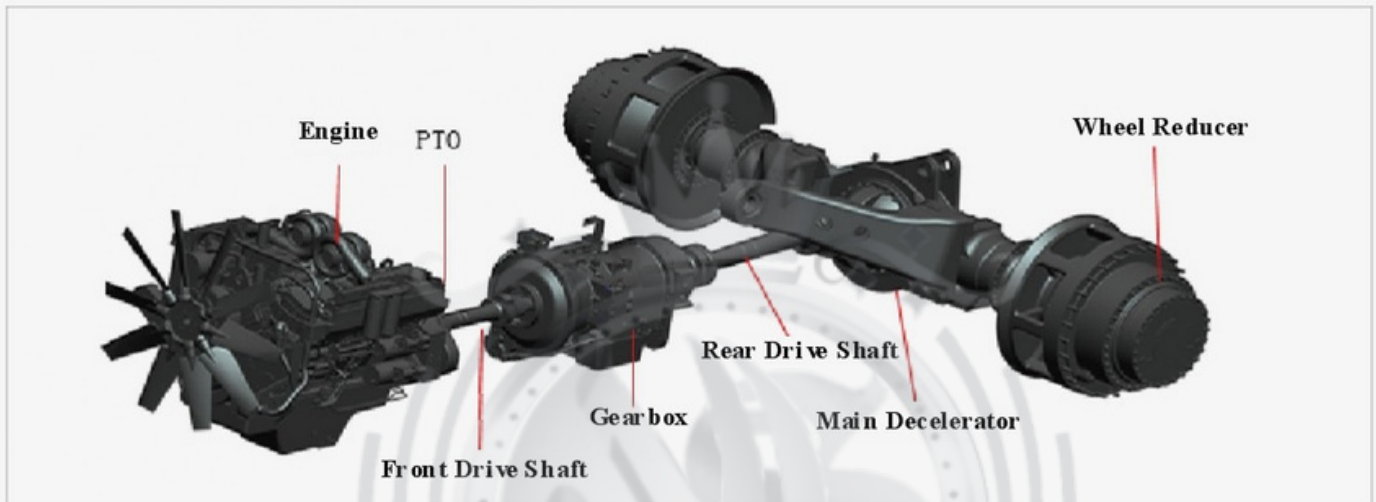
### ● Advanced AC Frequency Conversion Electric Drive System

- The entire drivetrain provides excellent pulling performance and class leading rimpull, resulting in excellent productivity on steep inclines and poor ground conditions. Our machines have the balance between weight, power & gearing that transfers effective productive drive to the wheels on all applications.





XDR100 DOUBLE AXLE RIGID DUMP TRUCK



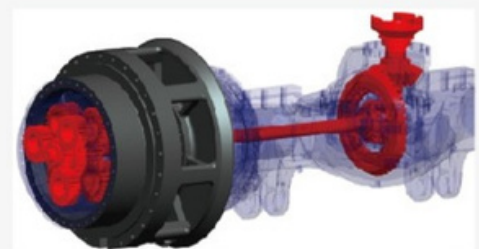
## ● Allison H8610AR Automatic Transmission

- Flexible automatic shift.
- Hydraulic torque converter, hydraulic retarder and planetary gear transmission are integrated.
- Hydraulic retardation, neutral start protection, power/economic mode switching, lifting reverse interlocking, lifting speed control, etc.
- Automatic locking in all forward gears.



## ● Rear Axle

- Full floating heavy-duty rear axle with primary helical bevel gear reducer and double planetary wheel edge reducer. The axle housing is cast with high strength alloy steel.
- Main Deceleration Ratio 2.16:1
- Edge Speed Ratio 13.75:1
- Total Speed Ratio 29.70:1





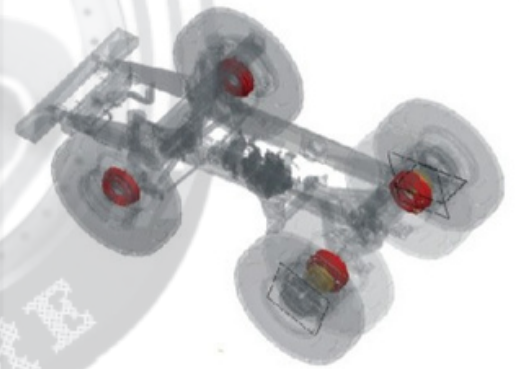
## ● Loading

- It can be perfectly matched with various electric shovels, hydraulic excavators and wheel loaders. XCMG XE2000E hydraulic excavator loads XDR100, providing a high productivity combination.

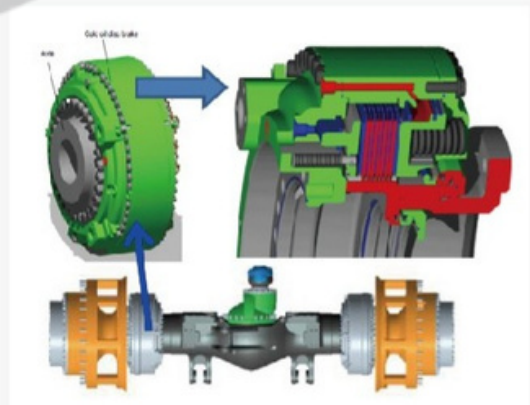
## RELIABLE BRAKE SYSTEM

### ● Full Wet Disc Braking System for Front and Rear Bridges

Full hydraulic braking control system, pressure compensated plunger pump driven by PTO transmission provides power for braking and steering. The independent pilot dual-circuit braking control system is equipped with accumulator, which can provide emergency braking.



- Front Brake: Oil-cooled disc brake with independent heat dissipation system. The braking force on wet and slippery pavement is reduced by half. (optional dry disc brake)
- Rear brake: oil-cooled disc brake, with parking and braking functions, with an independent heat dissipation system.



Driving brake: brake pedal control, front and rear hydraulic brake circuit are implemented separately.

Parking brake: Hydraulic release, loaded by the spring on the piston on the rear brake disc set.

Slow braking: The rear disc brake and the hydrodynamic retarder of the gearbox are controlled respectively by the joystick and the bus keyboard.

Emergency braking: solenoid valve control, while the implementation of driving and parking braking.



## XDR100 DOUBLE AXLE RIGID DUMP TRUCK

## ● Traction Control System TCS

If one side of the rear axle starts to slip, The Traction Control System distributes the Torque to the other side by adjusting the braking force on both rear wheels to ensure the normal running of the equipment.



- The traction control is realized by automatically adjusting the braking power of the two rear wheels on the wet and slippery surface to prevent the skidding of one side wheels.
- Excellent mobility.
- Extend the service life of tyres.

## ● Hydraulic Automatic Reduction Control ARC

- Achieving Steady and Controllable Downhill Velocity
- Preventing Overheating of Brake System and Overspeed of Engine
- Drivers are easier to operate and reduce interference



## OPERATE IN COMFORT

- **Ergonomics Design Cab**

- **Excellent visibility**

- The frame adopts a box girder.



- **Comfortable seat**

- The seat is adjustable high gas suspension damping adjusters, equipped with the co-pilot seat.





#### XDR100 DOUBLE AXLE RIGID DUMP TRUCK

#### ● Complete interior

- The fully-equipped cab provided all kinds of display instrument, alarm, lighting, control switch, On-board computer, electric Windows, tilting and telescoping steering wheel, electric windshield wiper cleaners, colored glass, air conditioning.



#### ● Vehicle monitor system

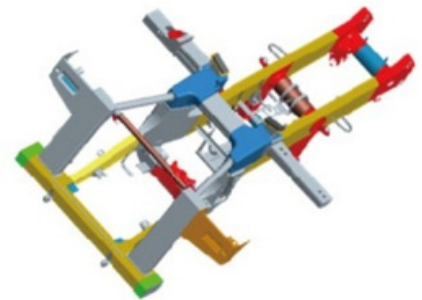
- Vehicle running data and fault alarm project adopts touch LCD display and control instrument display mode. A large color monitor improves availability and allows easy navigation between different screens.



## SMOOTH AND STEADY

#### ● Vehicle Frame

- The frame adopts a box girder and ring beam structure, with cast steel components used in the stress concentration area to adapt to the adverse working conditions with the load frequently changing; the CAE software is adopted for analysis and optimization of the frame strength, stiffness and fatigue failure to minimize the weight under the condition that higher strength and stiffness can be guaranteed, so that the working efficiency of the complete vehicle could be improved as far as possible. All important welds (100%) have passed ultrasonic testing.

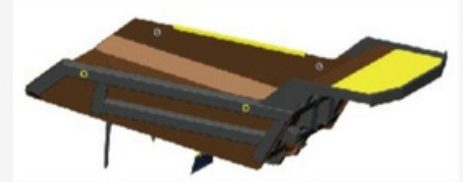






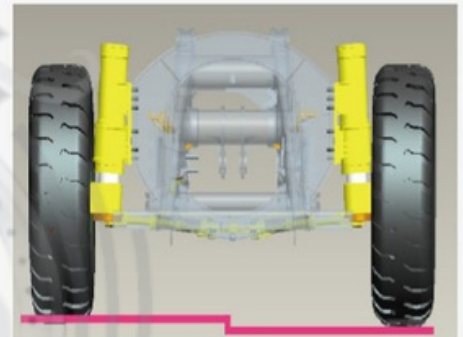
● **Body**

- The cargo compartment is welded with high strength alloy steel plates and selected with high strength wear resistant lining.



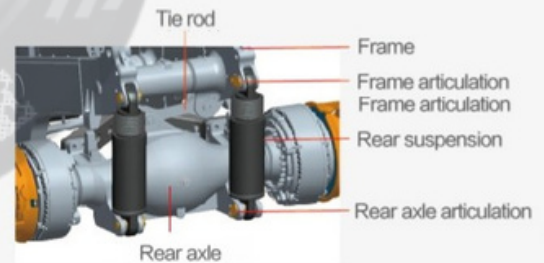
● **Suspension**

- Four nitrogen/cylinders with variable oil/gas ratio are adopted to alleviate the impact of road surface and loading and prolong the service life of frame.



- The front suspension uses the variable rigidity independent candle suspension, the left and right symmetry, guarantees the wheel fixed position reliable, the movement is stable and comfortable. It can adapt to the change of load and road condition, quickly absorb impact, attenuate vibration and ensure smooth running.

- The rear suspension adopts a longitudinal triangular pendulum suspension, allowing the rear axle shell to swing, effectively absorbing the bending and distortion stress generated by the bad road surface



● **Steering**

- Two tie-rod design enables the steering with best size and higher steering precision and minimal steering error to prolong the service life of tire.
- It features a small turning radius and good vehicle stability, competent for poor working conditions.

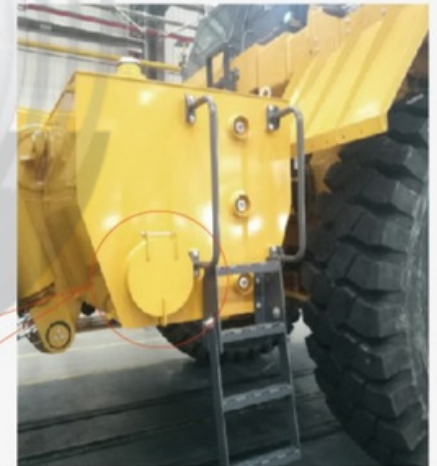




XDR100 DOUBLE AXLE RIGID DUMP TRUCK

## EASY MAINTENANCE

- **Automatic lubrication system**
  - Controlled amount of lubricant is delivered timely to lube points, reducing service time and costs.
- **Rapid refueling system**
  - The fuel injection port distributed on both sides of the frame is close to the ground and easy to operate.



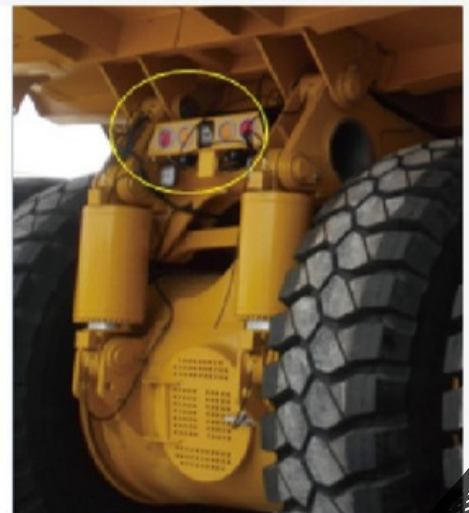
- **Carried spares and tools**
  - Equipped a set of carried tools and wearing parts.



## SAFETY DESIGN

XCMG mine dump truck safety meets the highest international CE and AS standards. The ROPS/FOPS cab is used to shift the center of gravity behind the full load to improve the safety of heavy load downhill. Braking is reliable and fast. Emergency braking can provide maximum braking force. The braking distance is only 80-85% of ISO3450 standard. The exhaust pipeline is far away from the oil pipeline, eliminating fire hazards. Standardized rearview mirrors and cameras reduce visual blind areas, and standard reversing warning and reversing cameras. The brightness of LED lamp is 2.5 times that of ordinary lamp. Standard emergency stop button under the car. After losing power, the accumulator ensures that the front wheel turns completely. Lifting reverse restraint, forward limit function.

- In structural design, the cab position and the front and rear suspension lengths of the whole vehicle are reasonably arranged to ensure that the driver will not be injured by rear-end collision.
- Equipped with panoramic driving assistant video system, real-time acquisition of peripheral video images to ensure driving safety.
- Equipped with active collision avoidance system, automatic detection of dangerous situations and obstacles ahead, timely warning and braking, thus effectively protecting the safety of the Division's crew.





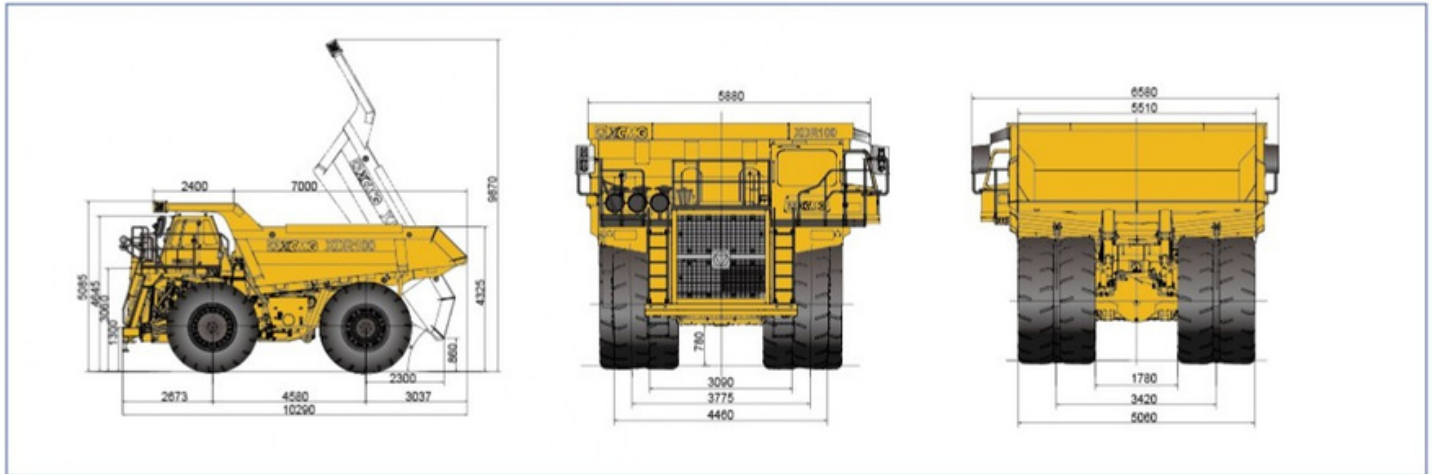
## OPTIONAL

### ● Weighing system (optional)

- This system can automatically record the loading weight, loading progress and other relevant data to help users accurately monitor equipment production.
- Each tramcar is equipped with a green light (50%), a yellow light (90%) and a red light (105%) on both sides to indicate the loading progress and help the driver to control the loading capacity every time to avoid overload operation of the tramcar.
- The weighing system display in the car can show the loading data in the form of figures and simple English words. The loading data is recorded in the database and can be read.

### ● Central fire extinguishing system (optional)

- An internationally famous semi-automatic fire extinguishing system is provided to protect the engine, hydraulic pump, high pressure filter, generator, traction motor, hydraulic block, hydraulic oil tank discharge hose and other important equipment.
- The two starter buttons located respectively in the cab (1) and on the frame front bumper (1) can help you start the fire extinguishing system manually.



## Main Specifications

Item	Unit	Parameter
<b>Dimension</b>		
Overall Truck Length	mm	10290
Overall Truck Width	mm	5880
Front Canopy Height	mm	5085
Body Raised Height	mm	9870
Wheelbase	mm	4580
Wheel center distance	Front	mm 3800
	Rear	mm 3400
<b>Weight</b>		
Gross Vehicle Weight (GVW)	kg	158000
Payload	kg	91000
Empty vehicle weight	kg	67000
<b>Weight Distribution</b>		
Unload	Front axle	% 32160 (48%)
	Rear axle	% 34840 (52%)
Loaded	Front axle	% 50560(33%)
	Rear axle	% 107440(67%)
<b>Power Train</b>		
Engine	/	Cummins QST30
Rated power	kW/rpm	783/2100
Max. torque	N.m/rpm	4630/1300
Drive	/	4 × 2
Tire	/	27.00R49
Transmission	/	Allison H8610 AR
Ratio	/	6Forward Ge ars1Reverse
Torque	/	TC890 Allison
Ratio	/	1.86
Ratio	/	2.16
Ratio	/	13.75

Item	Unit	Parameter
<b>Driving Performance</b>		
Max. vehicle speed	km/h	48
Min. turning diameter	m	24
Max. gradeability	%	30
Min. ground clearance id clearance	mm	780
<b>Working Parameter</b>		
Loading height	mm	4325
Lifting time	s	18
Dump angle	°	54
<b>Service Service Capacities</b>		
Fuel tank	L	1050
Hydraulic tank	L	700
Cooling system	L	350
Engine oil	L	134
Rear axle and Motor gear box	L	120
Transmission Oil	L	100
<b>Body</b>		
Standard SAE heaped 2:1	m <sup>3</sup>	60

Materials and specifications may be changed at any time without prior notice



# NIAYESH EMPIRE

Thank you for taking the time to explore Niayesh Empire's introduction to the world of the renowned Chinese brand, XCMG Heavy Machinery. As a top brand in China and the third-largest globally, Niayesh Empire is excited about the potential collaboration and the opportunities it presents. We proudly promote XCMG on our website as part of our commitment to showcasing leading brands and fostering meaningful partnerships.

S. NIAYESHFAR



A P R 1 6 / 2 0 2 4

---